

Installation instructions for PZ4AL-02210-00

Lexus GS 350 AWD, Lexus GS 350 AWD F-sport

Under Run Protective Shield engine bay



Model Year: 2012-

Vehicle Code: GRL15L-BETQHW

Part Number: Aluminium: PZ4AL-02210-00

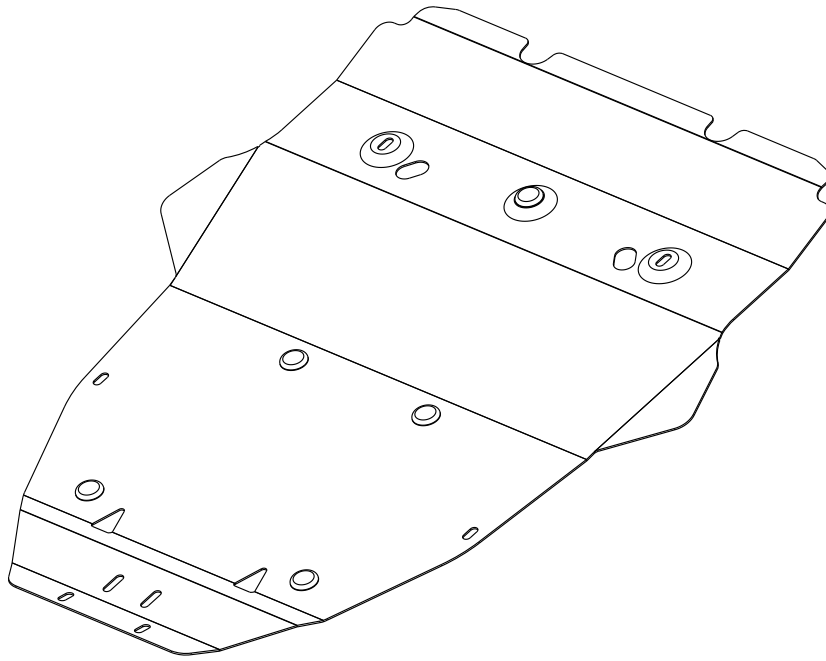


Weight: Aluminium: 11,92



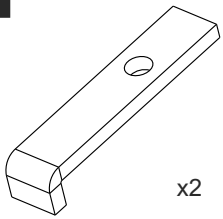
Installation Time: 30 min

A



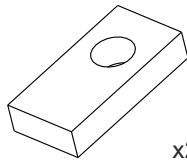
PZ4AL-02210-60

B



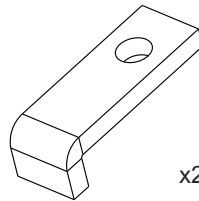
x2

C



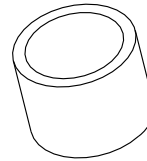
x2

D



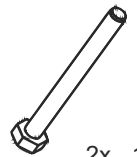
x2

E



x2

F1



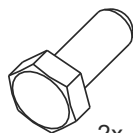
2x 10x60

F2



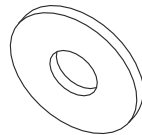
2x M8x20

F3



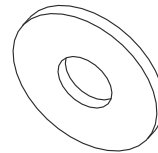
2x 10x30

G1

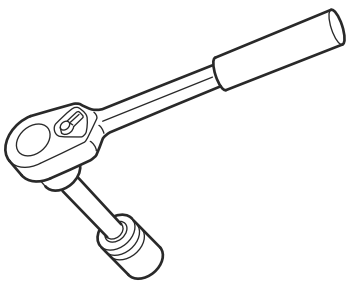


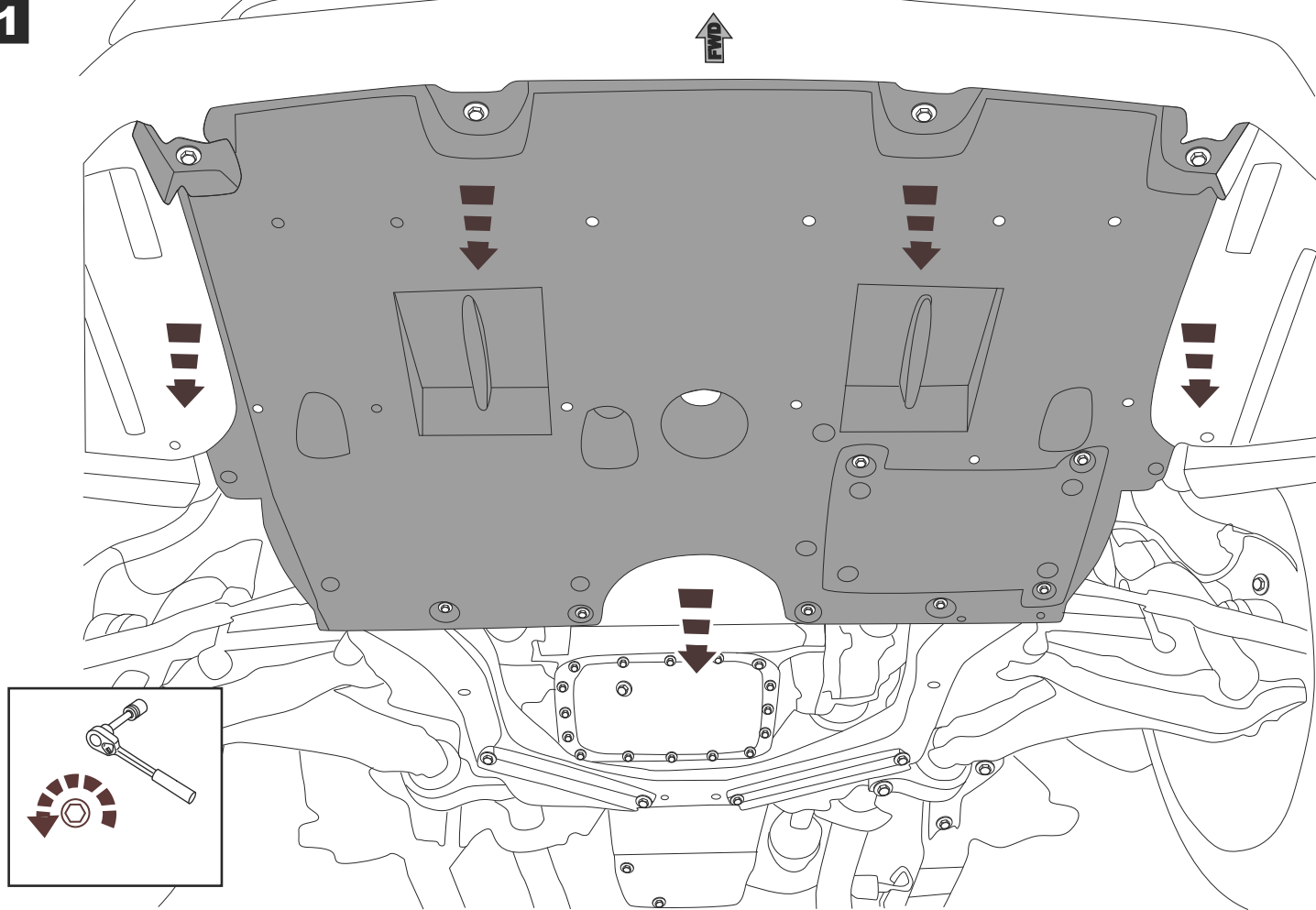
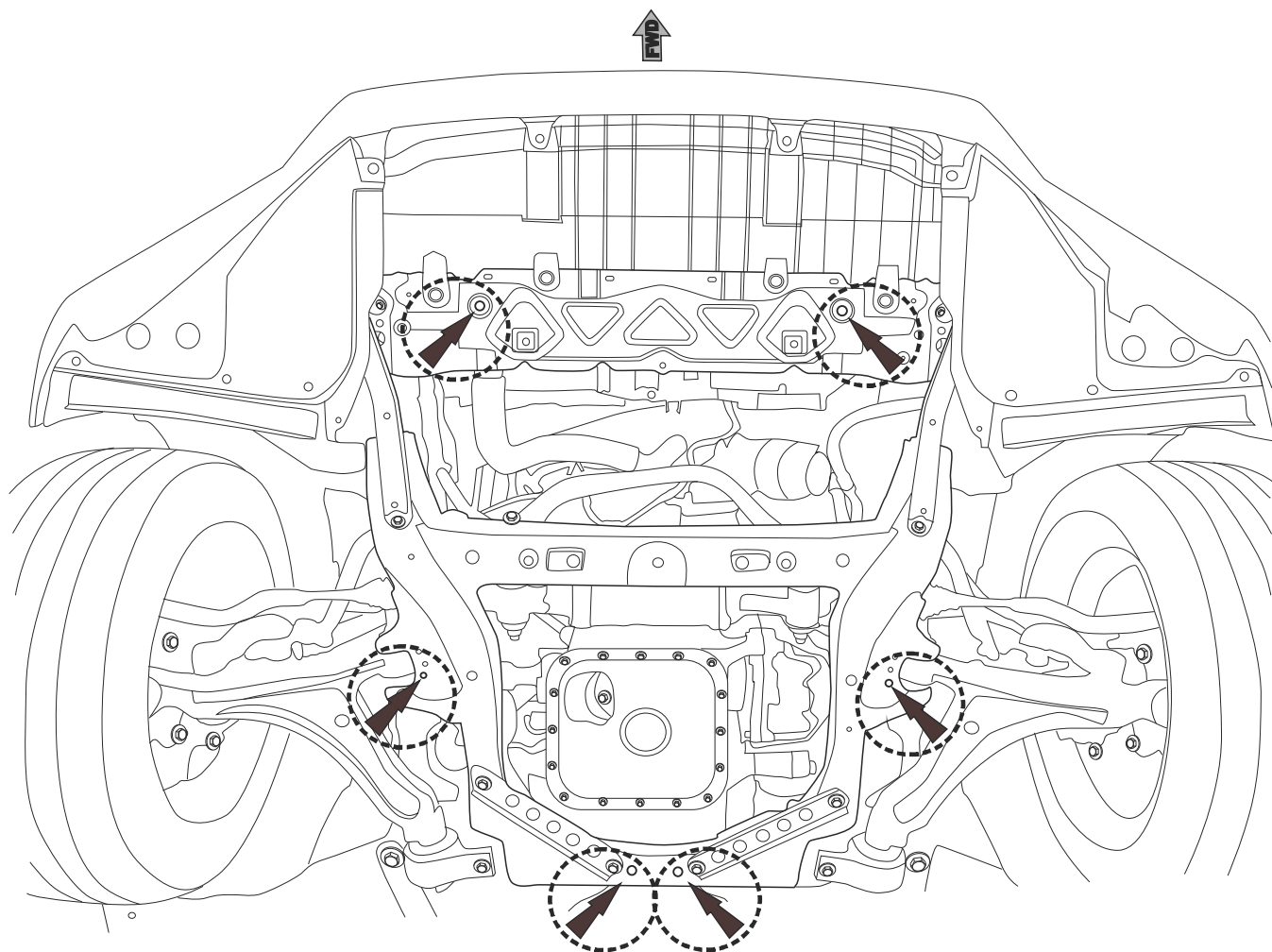
2x Ø8

G2

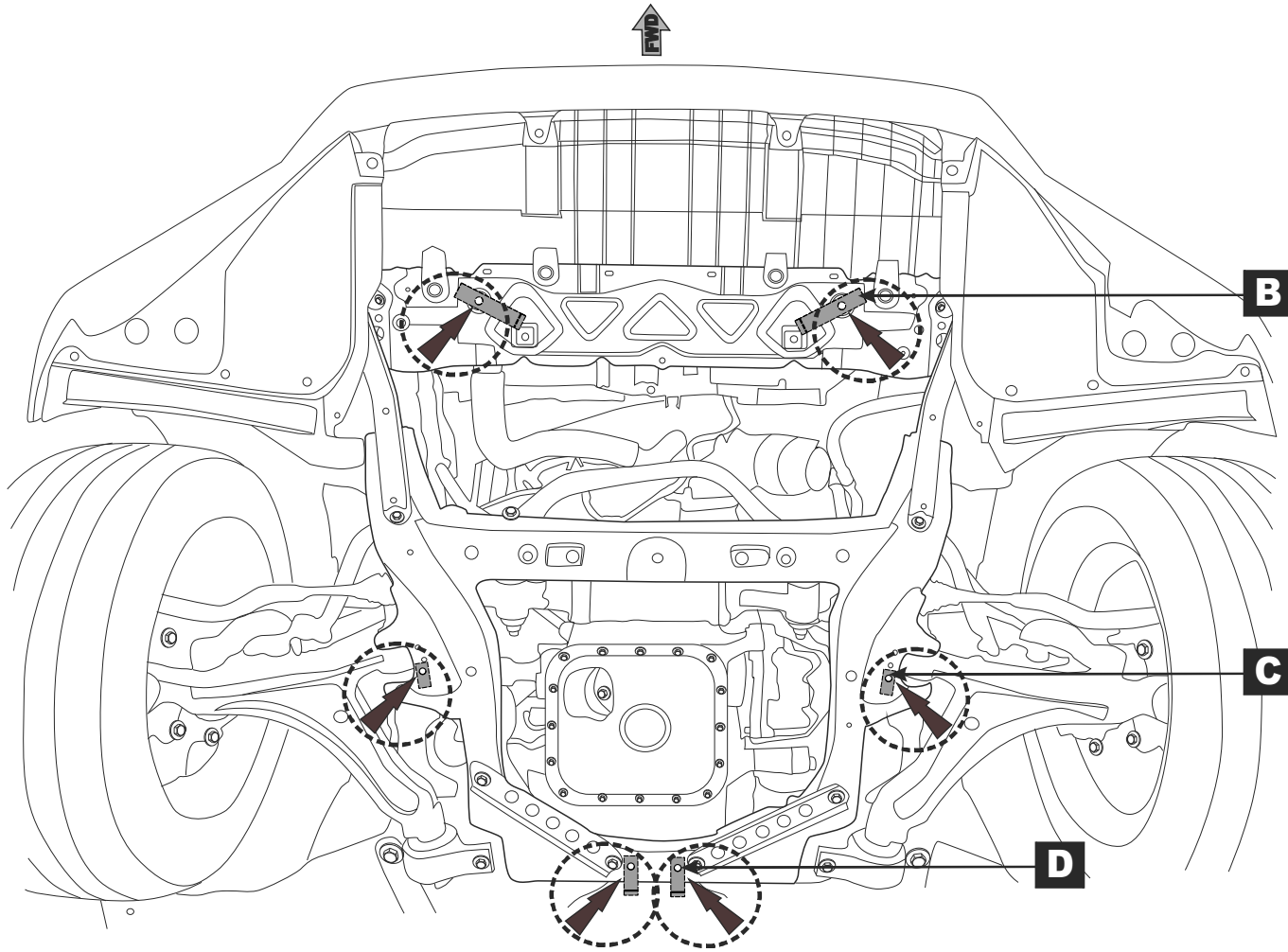


4x Ø10

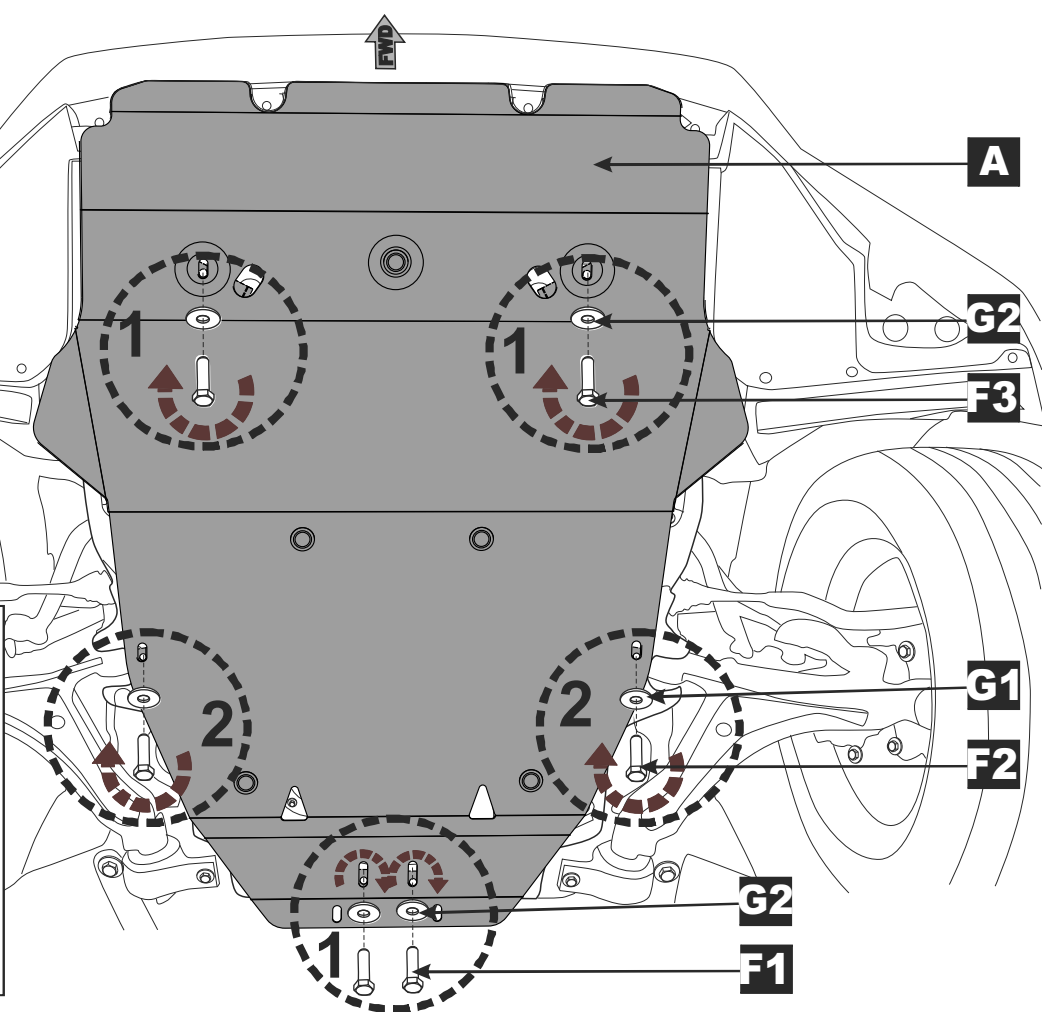
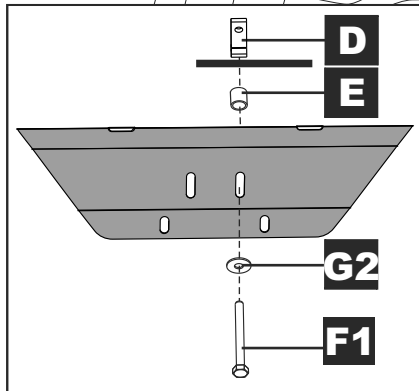
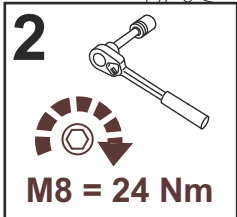
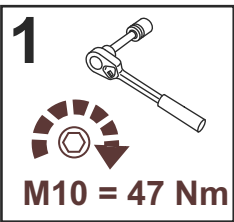


1**2**

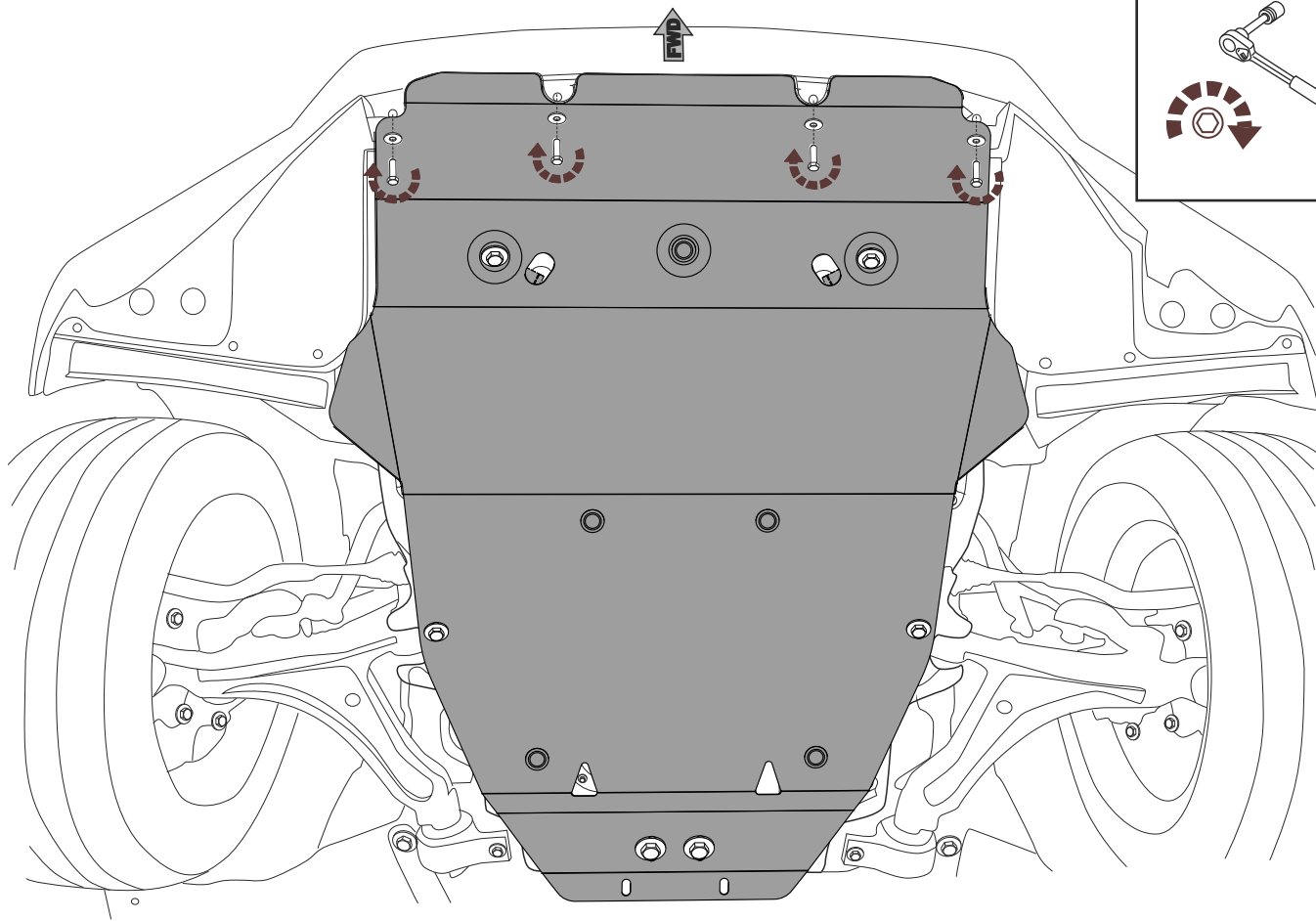
3



4



5



6

